

NOTE: All our steam shower cabins and whirlpools are designed to be **FREESTANDING**. The water and waste connections are designed to be long enough to allow the unit to be built away from the wall or corner both for assembly and to allow access to service.

DELIVERY

The product arrives on a palette and is delivered on a large tail-lift lorry. You must notify us upon placing your order of any restrictions that may affect access of a large lorry to your property (weight limits, bridges etc). You will need to ensure you have a place to unpack the palette or store it safely upon its arrival - a garage is ideal.

ON ARRIVAL

Please check your delivery and report any damages to us within 24 hours, so we can issue a claim to the delivery company and arrange replacement parts for you.

Please open all boxes and check contents. We cannot be held responsible for delays incurred waiting for replacement parts to arrive.

ELECTRICITY

Steam shower cabins require 1 x 13amp electrical connection.

Steam shower and Whirlpool Cabins require 2 x 13amp electrical connections.

Whirlpool baths require 1 x 13amp electrical connection.

Connection to the main electricity supply should be made via an isolated fused spur wired back to your consumer unit with a fitted RCD in the consumer unit.

The cabin arrives with a standard 3 pin socket and inline RCD used for testing during manufacture. **The Plug and RCD should be removed.**

WATER

The Steam shower cabin requires a separate hot and cold water supply of between 1 - 3 bar.

The water pressures MUST be balanced. Failure to have balanced water pressures will result in damage to the Thermostatic Cassette.

Fitting a Pressure Equalising Valve will ensure constant equal water pressure. Getting your plumber to fit a PEV costing about £40-£50 to your water supply will ensure that no matter what happens to your water pressures up to the valve, the valve will equalise the water and provide balanced pressures out. This means your steam shower or whirlpool will operate as it should and protect your thermostatic cassette. If you have a twin impellor pump there is no need to fit a PEV as the water will be balanced by the pump.



The pipe work should be recessed to allow the cabin to fit flush to the wall. The connections for the water are at the rear of the cabin at a location corresponding into the control panel. Positioning of your water connection to be between 120 - 150 cm from the floor.

The Steam Showers are able to be run from:

1. Combi Boilers
2. Pressurised Pumps
3. Pressurised Cylinders

Where the water supply is gravity fed or the pressure is not adequate, we recommend you install a Pump. Bathtek do not sell or provide pumps, but would recommend a twin impellor pump capable of between 2-3 bar.

FLOOR AND WALLS

It is recommended that you prepare you walls and floor prior to installation of your cabin. The cabins are either acrylic backed or mirrored glass, so you may choose not to fully tile the walls behind.

The floor must be smooth and level. Tongue and grooved floorboards, carpet and vinyl's are not recommended as they will not allow the cabin to be moved freely over the surface.

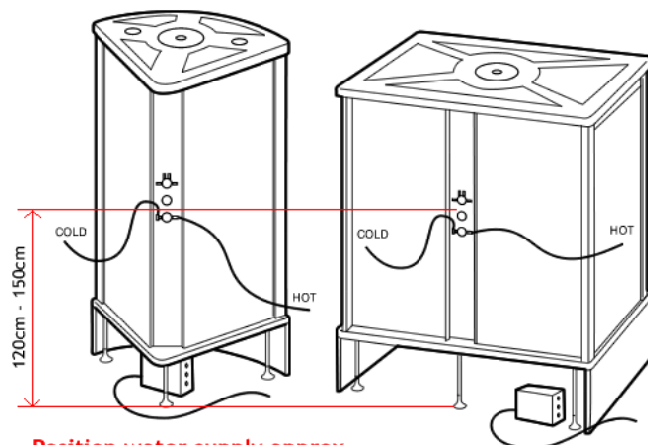
SPACE AND ACCESSIBILITY

When choosing your new steam shower cabin, bear in mind the following:

Some units have large tub bases. Ensure that you have enough space to store the cabin until it is to be fitted. Check you have the ability to get the packages to the bathroom or room the unit is to be installed in. During the assembly process and for servicing after installation you will need to ensure you can slide the cabin away from the wall/corner to move around the cabin as required. The cabins have long flexible hoses to allow it to remain connected for both water and waste for this purpose.

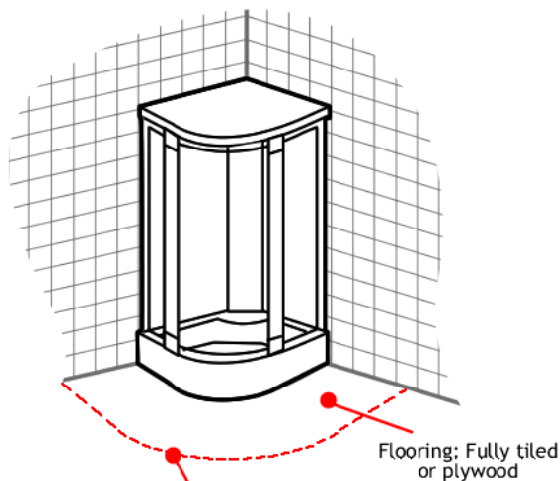
NOTE: LAMINATE, VINYL & CARPET ARE NOT RECOMMENDED.

Removal of the Front skirt is NOT necessary during installation.

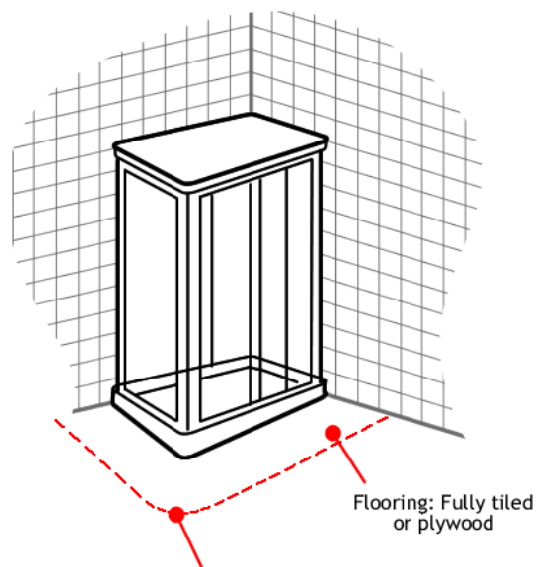


Position water supply approx 120cm - 150cm from the floor

Your water supply pipes will need 15mm compression fittings.



Space: Allow a minimum of 40cm space all around the cabin for assembly and service access



Space: Allow a minimum of 40cm space all around the cabin for assembly and service access